

# PERFORMANCE CARS—PARTS LIST

## 2011



High quality components manufactured to exacting standards to deliver reliability and superb performance

JACK  KNIGHT



Rack & Pinion LHD & RHD £1200.00

Quick Racks LHD & RHD £1500.00

Rack & Pinion Refurbished £480.00



**EPAS Assisted Steering**

**EPAS STD Kit £1400.00**

**EPAS Advanced £1820.00**

**With effort control**



# STEERING

Please Note: mobile fitting service available to install EPAS Units, please contact us for a price



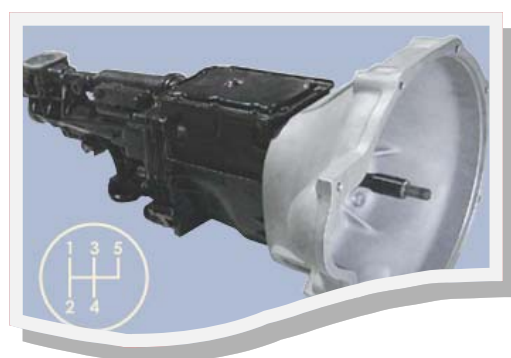
Rack And Pinion only Kits	
2.2:1 Ratio	£295.00
2.8:1 Ratio	£295.00
3.0:1 Ratio	£295.00
Universal Ratio Change (multi ratio options)	
	From £720.00
Steering Rack service Kit	
	£185.00



Steering Components	
Universal Joint (UJ)	£95.00
Male End	£85.00
Female End	£95.00
Splined Joiners	£85.00

Jack knight can supply new gearboxes, gear kits or refurbish an existing gearbox for road or competition use.

# GEAR SETS & GEARBOXES



Typically our Gearbox prices are:

### Road

4 Speed	£1200.00
5 Speed	£1540.00
6 speed	£2400.00

### Competition (Dog Box)

4 Speed	£1800.00
5 Speed	£2400.00
6 Speed	£ 2950.00
Sequential Upgrade add	£1400.00

Typically our Gear sets are:

### Road

4 Speed	£750.00
5 Speed	£1150.00
6 Speed	£1580.00

### Competition

4 Speed	£1200.00
5 Speed	£1750.00
6 Speed	£2250.00

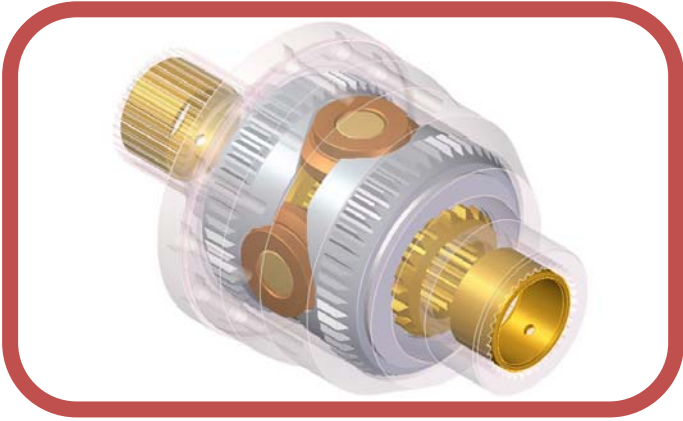


**Jack knight** can refurbish any gearbox, transforming it from scrap to a fully working unit, whatever its condition and saving pounds in the process.



**And whilst your gearbox is being refurbished why not change a ratio or add an extra gear, you will be surprised how little it costs. Please contact us for a price at [info@jackknight.co.uk](mailto:info@jackknight.co.uk)**

**Jack knight** manufacture a range of Limited Slip Differentials, Standard Differentials and extremely strong Driveshafts.



Prices from £595.00



Prices from £550.00 pair

## **Contact Us**

**Jack Knight  
Technology Centre  
91—93 High Street  
Camberley  
Surrey  
GU15 3RN  
UK**

**Tel 01276 482834**

**Email [info@jackknight.co.uk](mailto:info@jackknight.co.uk)**

**Web [www.jackknight.co.uk](http://www.jackknight.co.uk)**