

MORGAN CARS—PARTS LIST

2011



High quality components manufactured to exacting standards to deliver reliability and superb performance

JACK  KNIGHT



OEM Rack and Pinion LHD & RHD £545.00

Quick Rack LHD & RHD £625.00

New Centre Gaiter Kit £92.00

Rack & Pinion Refurbishment £320.00

Steering Box to Rack & Pinion KIT £poa



Power Assisted Steering

EPAS STD Kit £895.00

EPAS Advanced with effort control £1,580.00



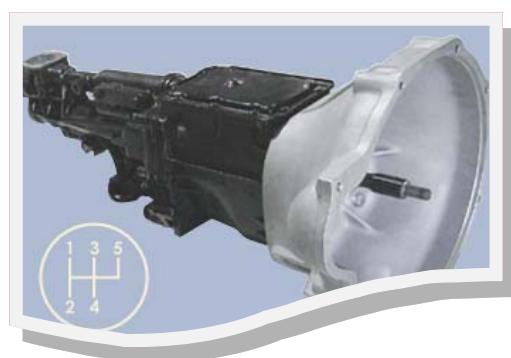
Rack And Pinion only Kits	
2.2:1 Ratio	£295.00
2.8:1 Ratio	£295.00
3.0:1 Ratio	£295.00
Universal Ratio Change (multi ratio options)	
	From £720.00
Steering Rack service Kit	
	£185.00



Steering Components	
Universal Joint (UJ)	£95.00
Male End	£85.00
Female End	£95.00
Splined Joiners	£85.00

Jack knight can supply new gearboxes, gear kits or refurbish an existing gearbox for road or competition use.

GEAR SETS & GEARBOXES



Typically our Gearbox prices are:

Road

4 Speed	£1200.00
5 Speed	£1540.00
6 speed	£2400.00

Competition (Dog Box)

4 Speed	£1800.00
5 Speed	£2400.00
6 Speed	£ 2950.00
Sequential Upgrade add	£1400.00

Typically our Gear sets are:

Road

4 Speed	£750.00
5 Speed	£1150.00
6 Speed	£1580.00

Competition

4 Speed	£1200.00
5 Speed	£1750.00
6 Speed	£2250.00



Jack knight can refurbish any gearbox, transforming it from scrap to a fully working unit, whatever its condition and saving pounds in the process.



And whilst your gearbox is being refurbished why not change a ratio or add an extra gear, you will be surprised how little it costs. Please contact us for a price at info@jackknight.co.uk

Jack knight manufacture a range of Limited Slip Differentials, Standard Differentials and extremely strong Driveshafts.



Prices from £595.00



Prices from £550.00 pair

Contact Us

**Jack Knight
Technology Centre
91—93 High Street
Camberley
Surrey
GU15 3RN
UK**

Tel 01276 482834

Email info@jackknight.co.uk

Web www.jackknight.co.uk